

# ZOOMLION

## ELECTRIC ARTICULATING BOOM LIFTS

### ZA20JE

Comply with CE/ANSI/CSA Standard



## HIGHLIGHTS

- ▶ Provide greater work height of 21.45m (70ft 4in) and lift capacity of 250kg (550 lb) than competitor
- ▶ Fast lift system directly lowers the boom from the highest position to the ground, no need to fold the boom to improve work efficiency.
- ▶ Accurate and efficient traveling AC drive system and on-board motion AC drive system provides strong power, stable control and maintenance-free motor.
- ▶ Independent auxiliary power system for more secure application



## FEATURES

### Standard Features

Proportional control	On-board diagnostic system
All motion alarm	Over tilt protection system
Flashing amber beacon	Oscillating axle
Self-closing entry gate	Load sensing system
Emergency descent system	4.3' LED display
Emergency stop button	Horn
Auto-leveling system	

### Accessories & Options

- ▶ AC power to platform
- ▶ Air line to platform
- ▶ 8.01ftx2.99ft work platform
- ▶ Non-marking tire
- ▶ Secondary guarding system

## ACCESS WITH ZOOMLION GREEN

Phone: 0086(731)-88353680-0086(731)-88250971  
E-mail: awm@zoomlion.com

Add: ZOOMLION Wangcheng Industrial Park, Tengfei Road 997, Changsha, Hunan, China  
Web: www.en.zoomlion.com

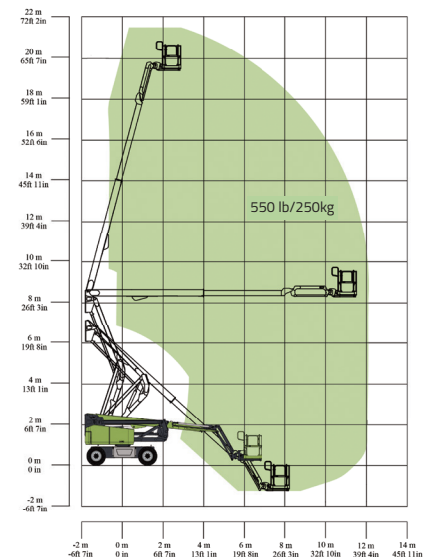
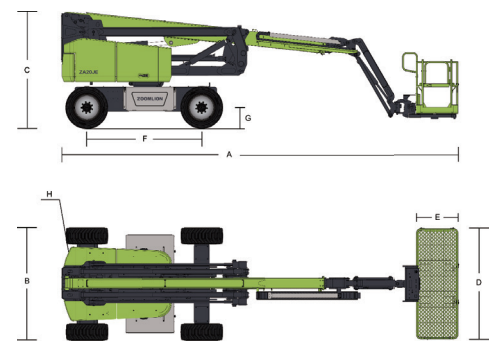
**ZOOMLION**

# ELECTRIC ARTICULATING BOOM LIFTS

## ZA20JE

Comply with CE/ANSI/CSA Standard

Model	ZA20JE	
	Imperial	Metric
<b>Size</b>		
Work Height	70ft 4in	21.45m
Platform Height	63ft 10in	19.45m
Horizontal Outreach	39ft 6in	12.05m
Up and Over Height	27ft 1in	8.25m
A - Stowed Length	28ft 7in	8.72m
B - Stowed Width	8ft 1in	2.46m
C - Stowed Height	8ft 3in	2.52m
D - Platform Length	6.00ft (standard) 8.01ft (option)	1.83m (standard) 2.44 (option)
E - Platform Width	2.49ft (standard) 2.99ft (option)	0.76m (standard) 0.91 (option)
Jib Length	5ft	1.53m
F - Wheelbase	8ft 3in	2.52m
G - Ground Clearance	1ft 1in	0.33m
<b>Performance</b>		
Platform Capacity	550 lb	250kg
Drive Speed	3.79 mph	6.1km/h
Gradeability	45%(24°)	
Axles Oscillation	8in	0.20m
Turning Radius (Inside)	9ft 1in	2.78m
Turning Radius (Outside)	18ft	5.49m
Swing	360° continuous	
Platform Rotation	±90°	
H-Tail Swing	2ft	0.6m
Max. Wind Speed	28mph	12.5m/s
<b>Power</b>		
Battery	24x2V/440Ah	
Charger	48V/60A	
Drive Motor	AC 32V/4.4hp	AC 32V/3.3kW
Lift Motor	AC 32V/13.4hp	AC 32V/10kW
Auxiliary Power	12V DC	
Hydraulic Tank Capacity	19.8 (us gal)	75L
Drive	4WD	
<b>Tire</b>		
Type	33x12 D610 Foam-filled Tires	
<b>Weight</b>		
Gross	20283 lb	9200kg



Range of Motion ZA20JE